

DESCRIPTION

The SW7135L is a Front-End Module(FEM) with a fully-integrated Low-Noise Amplifier and Pre-Filter for BDS/GPS/GNSS. The SW7135L requires no external capacitor/inductor, reduces assembly complexity and the PCB area, enabling a cost-effective solution.

The SW7135L achieves low noise figure, high gain, excellent linearity and high Out-Of-Band rejection. All these features make SW7135L an excellent choice for GNSS FEM as it improves sensitivity with low noise figure and high gain, provide better immunity against out-of-band jammer signals with high linearity and jammer-rejection, meanwhile it reduces the overall cost of the GNSS receiver.

The SW7135L is available in a small lead-free, RoHS-Compliant, 1.5mm x 1.0mm x 0.5mm 6-pin LGA package.

FEATURES

- **Low Noise Figure(including pre-filter): 1.6dB;**
- **Small signal gain: 17.5dB typical;**
- **Low current consumption: 3.9mA typical;**
- High Out-Of-Band jammer rejection at Cellular/PCS/WLAN bands;
- Fully-integrated module without any capacitor/inductor at input/output side;
- RF input/output internally matched to 50 ohm;
- Single Supply voltage: 1.5V to 3.6V;
- Operating frequencies: 1550~1615MHz;
- Slim LGA-6L package:1.5mm X 1.0mm X 0.5mm
- 3kV HBM ESD protection (including RFIN and RFOUT pin)

APPLICATIONS

- Smart phones, Tablet PCs;
- Intelligent Bracelet wear products, Smart watch;
- Complete GNSS chipset modules with embedded WiFi/BT function at ISM band;

PIN CONFIGURATION AND MARKING

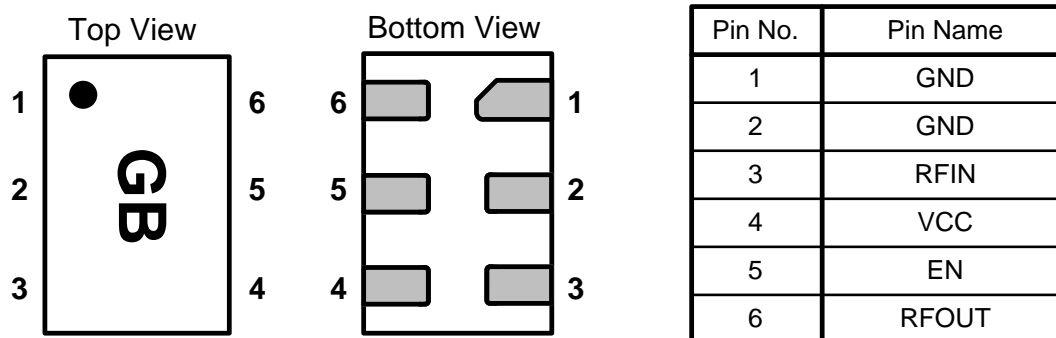


Figure 1. SW7135L Pin Configuration and Marking

TYPICAL APPLICATION

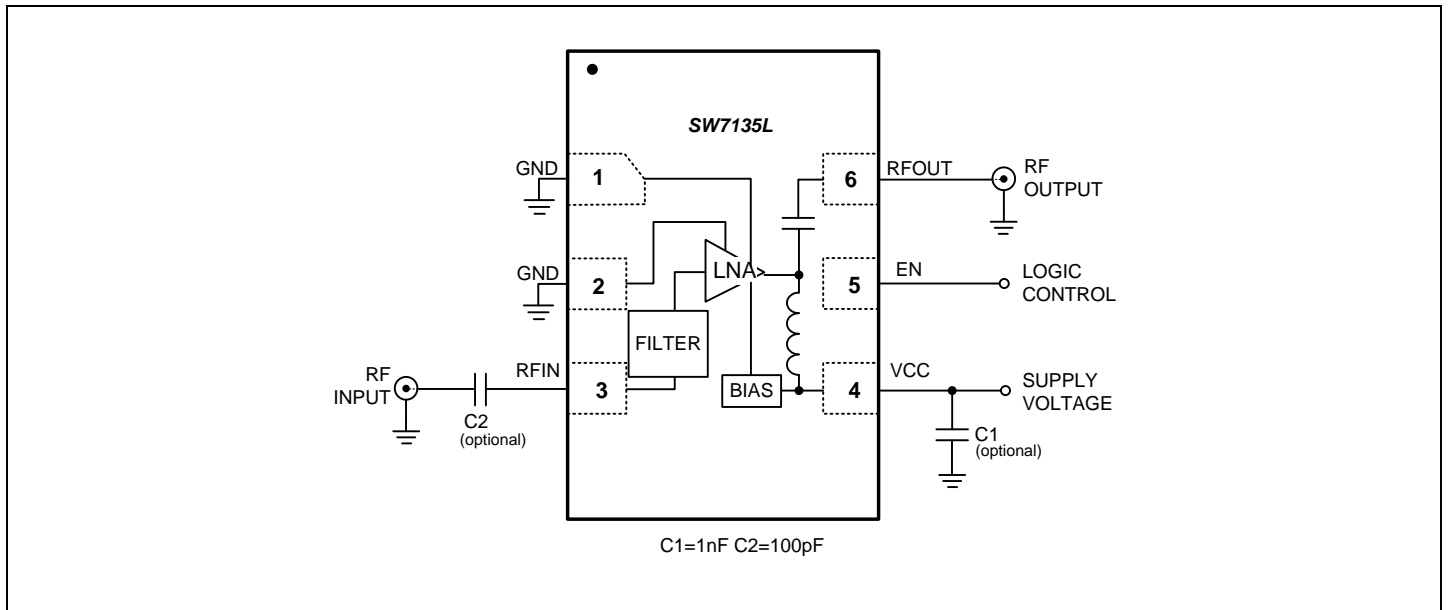


Figure 3. Application Schematic SW7135L

For a list of component see [Table 4](#)

ORDER INFORMATION

Table 1 OrderInformation

Part Number	Temperature	Package	RoHS	Mark	SPQ
SW7135L	-40°C ~ 85°C	1.5mm x 1.0 mm x 0.5mm LGA-6L	Yes	GB	Tape and Reel 3000 pcs/Reel

ABSOLUTE MAXIMUM RATINGS ¹⁾

Table 2. Limiting Values

Parameter	Symbol	Values			Unit
		Min.	Typ.	Max.	
Supply Voltage at pin VCC	V _{CC}	-0.3	-		

ELECTRICAL CHARACTERISTICS

1

Table 3. Electrical Characteristics

PARAMETER	CONDITIONS	MIN	TYP	MAX	UNITS
DC ELECTRICAL CHARACTERISTICS					
V _{CC}	Supply Voltage	1.5	2.8	3.6	V
I _{SD}	Shut-Down Current			1.0	μA
I _{CC}	Supply Current		3.9		mA
V _{EN}	Digital Input-Logic High	0.80			V
V _{EN}	Digital Input-Logic Low			0.45	V
AC ELECTRICAL CHARACTERISTICS					
G _p	Power Gain ¹⁾		17.5		dB
RL _{in}	Input Return Loss		10.0		dB
ISL	Reverse Isolation		21.5		dB
RL _{out}	Output Return Loss		14.2		dB
NF	Noise Figure ²⁾	Z _s =50 ohm; No jammer	1.60		dB
K _f	Stability factor	f=20MHz...10GHz	1.0		
IP1dB	In-Band input 1dB-compression point	f=1575.42MHz;	-6.0		dBm
IP1dB _{928MHz}	Out-Of-Band input 1dB-compression point	f _{blocker} =928MHz f=1575.42MHz	+36		dBm
IP1dB _{1980MHz}	Out-Of-Band input 1dB-compression point	f _{blocker} =1980MHz f=1575.42MHz	+28		dBm
IP1dB _{2400MHz}	Out-Of-Band input 1dB-compression point	f _{blocker} =2400MHz f=1575.42MHz	+32		dBm
IIP3 _{oob}	Out-of-band input 3 rd -order intercept point	f1= 1712.7MHz; f2=1850MHz; Pin=-20dBm	TBD		dBm
ATT _{oob}	Out-of-band Attenuation	F=824MHz...915MHz	+25		dBc
ATT _{oob}	Out-of-band Attenuation	F=1880MHz...1980MHz	+20		dBc
ATT _{oob}	Out-of-band Attenuation	F=2400MHz...2500MHz	+30		dBc
ATT _{oob}	Out-of-band Attenuation	F=5000MHz...5200MHz	+30		dBc
t _{on}	Turn-on time ³⁾		2.0		μs

t_{off}	Turn-off time ⁴⁾		2.0	μs
-----------	-----------------------------	--	-----	---------

TYPICAL PERFORMANCE CURVES OF S-PARAMETERS AT 25 °C

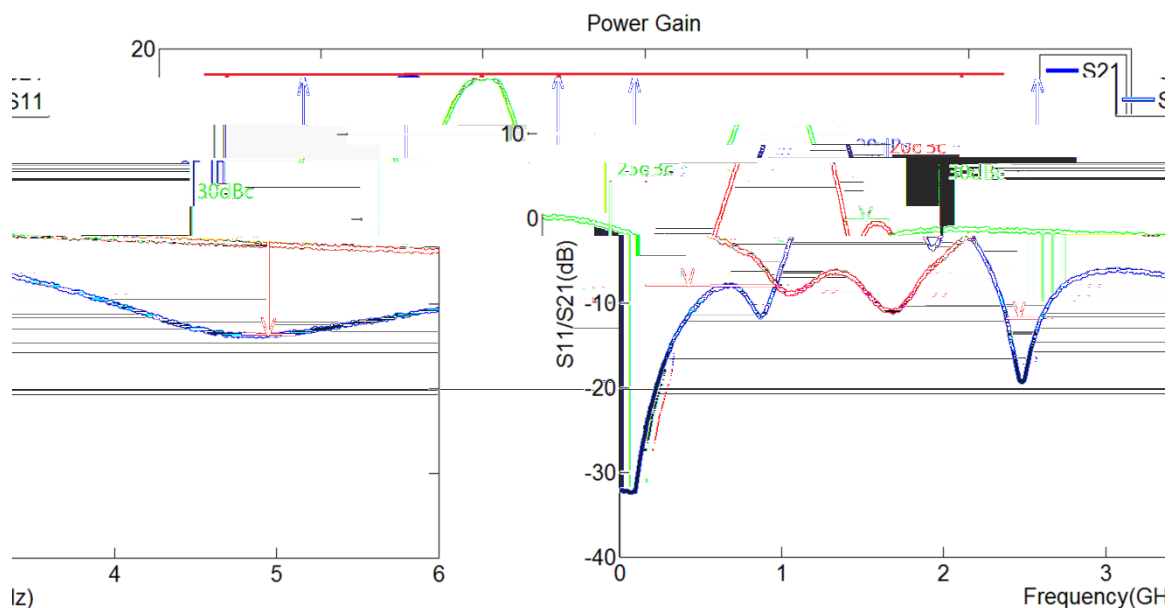


Figure 4. Typical S-parameter @Vdd=2.8V Idd=3.9mA

APPLICATION INFORMATIONS

1. The SW7135L requires no external capacitor/inductor for input matching. Optional supply decoupling capacitor is 1nF. For schematics see [Figure 2](#).
2. The SW7135L should be placed close to the antenna. Use 50-ohm micro-strip lines to connect RF INPUT and RF OUTPUT. Bypass capacitor should be located close to the device. For long supply lines, it may be necessary to add more decoupling capacitors. Proper grounding of the GND pins is very important.

Table 4 lists the recommended capacitor types and values.

Table4: list of capacitor

Part Number	Capacitance	Rated Voltage	Supplier	Size
Units	pF	V		
GRM155	1000	50	Murata	0402

PACKAGE INFORMATION

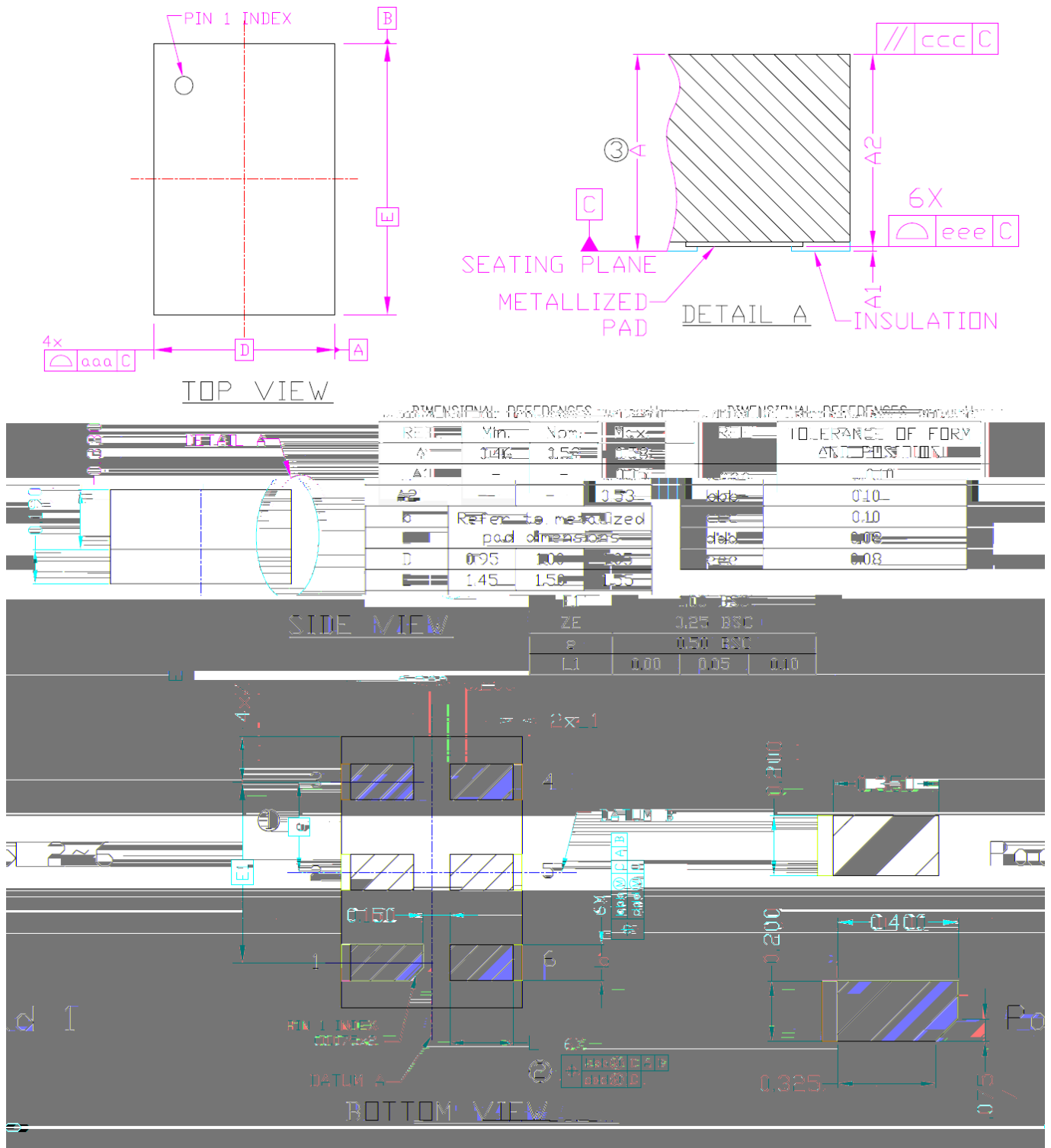
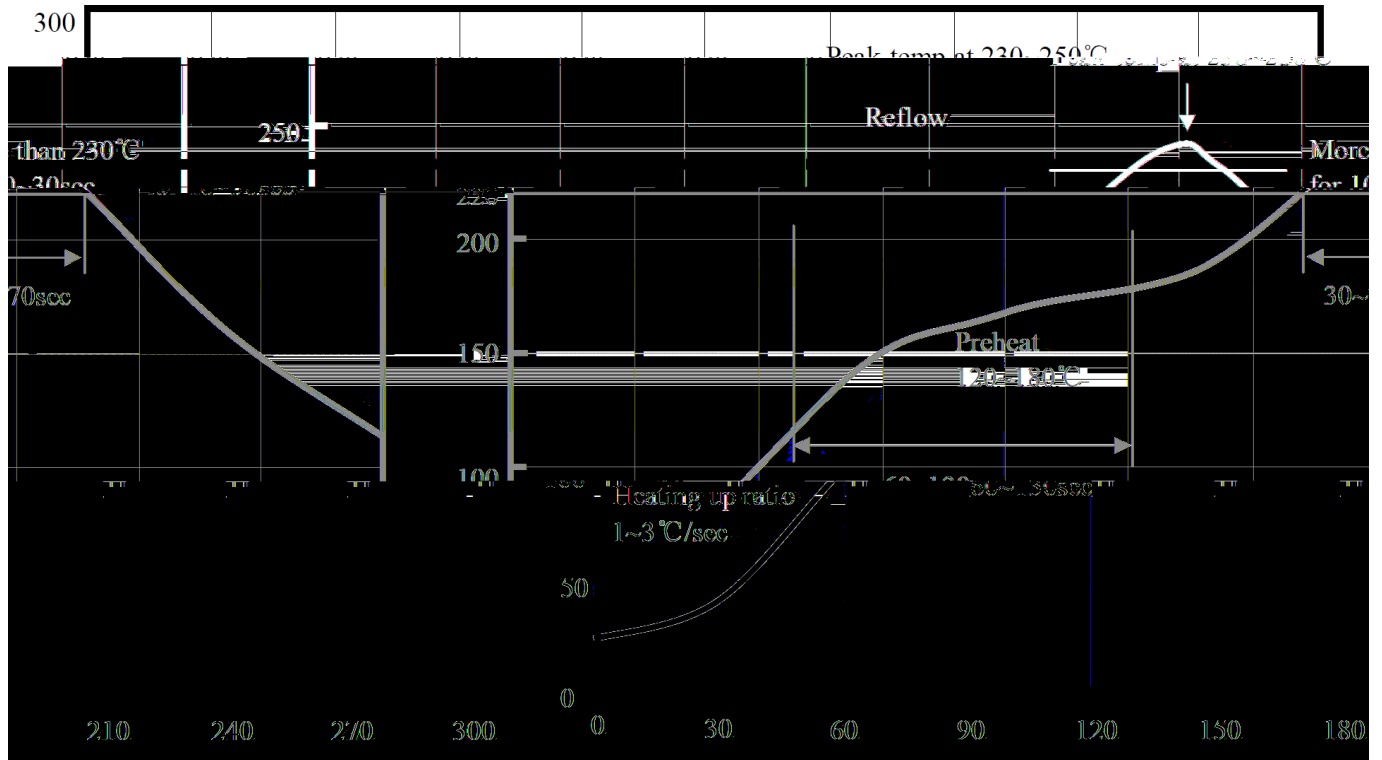


Figure 5. Package Outline

RECOMMENDED SOLDER TEMPERATURE



Recommended Temperature Sn95.5Ag4.0Cu0.5

The product does not contain lead, mercury, cadmium, hexavalent chromium, polybrominated biphenyls (PBB) or polybrominated diphenyl ethers (PBDE), and are therefore considered RoHS compliant.