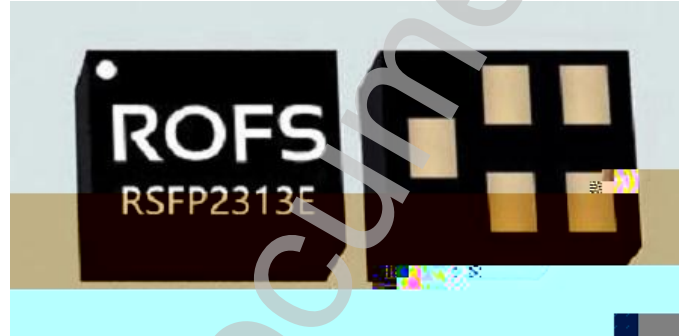
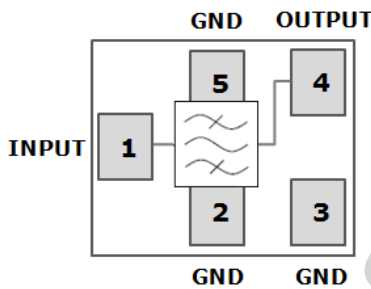


Description

The RSFP2313E is a surface-mountable, high-performance, low-loss, and low-noise LTE Band 40 filter. It is designed to provide excellent signal-to-noise ratio (SNR) and high rejection of out-of-band signals. The filter is available in a standard 5-pin package, which is compatible with most surface-mount technology (SMT) processes. The filter's performance is characterized by its high insertion loss and low return loss, which are essential for maintaining signal integrity in LTE applications. The filter is also designed to be highly reliable and to have a long operational life.



Functional Block Diagram



Features

- High insertion loss
- Low return loss
- High rejection of out-of-band signals
- Excellent signal-to-noise ratio (SNR)
- Low noise
- High reliability
- Long operational life
- Storage temperature range: -40 to +150 °C
- RoHS compliant

Pin Connection

1	C	5
2	F	4
3	L	3
4	D	2

Environmental

The RSFP2313E is RoHS compliant and does not contain any lead (Pb).



Typical Performance at Tc=25° C

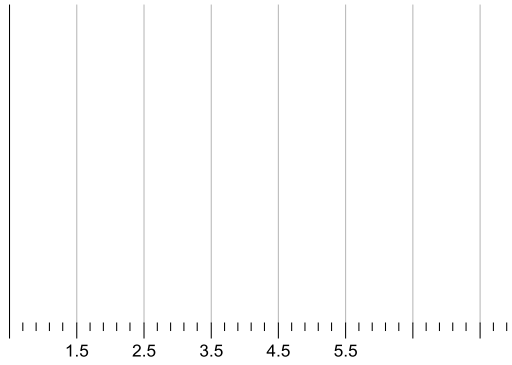


Figure.1 Wideband Insertion Loss

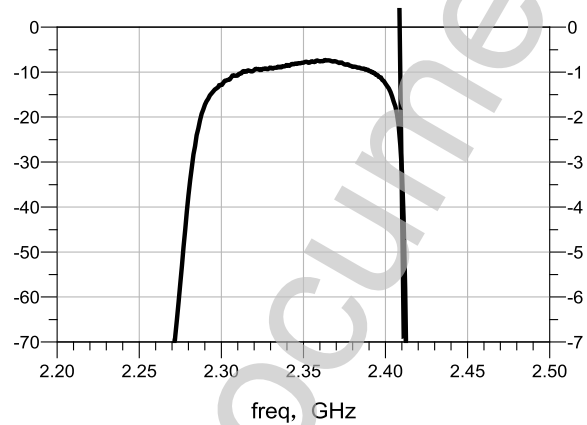


Figure.2 Narrowband Insertion Loss

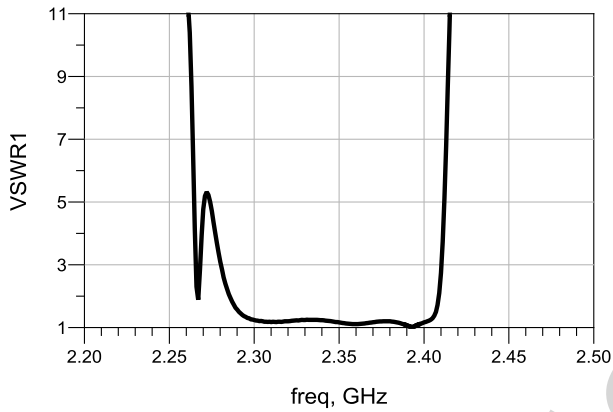


Figure.3 Input VSWR S11

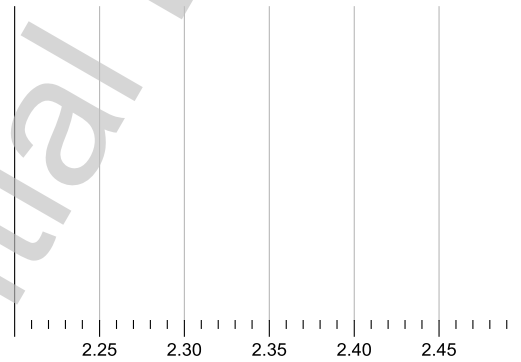


Figure.4 Output VSWR S22

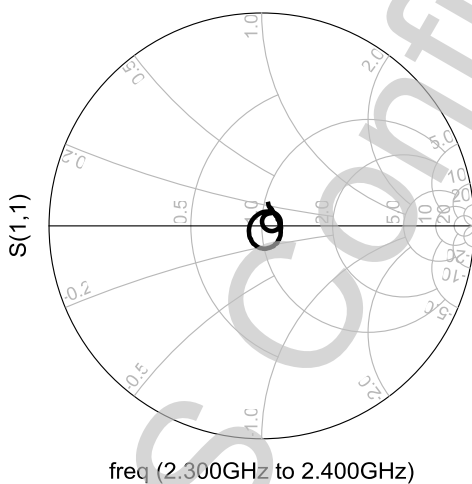


Figure.5 Input Smith Chart S11

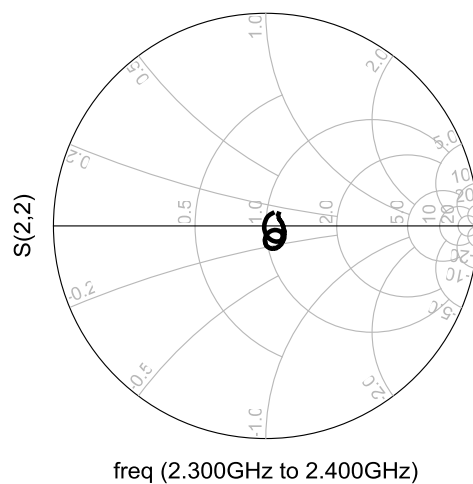
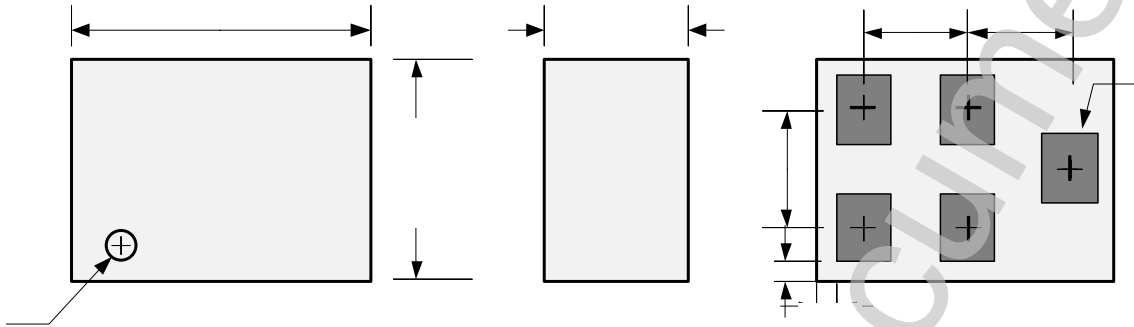
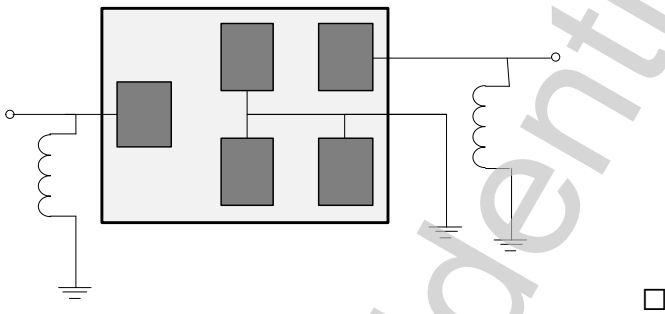


Figure.6 Output Smith Chart S22

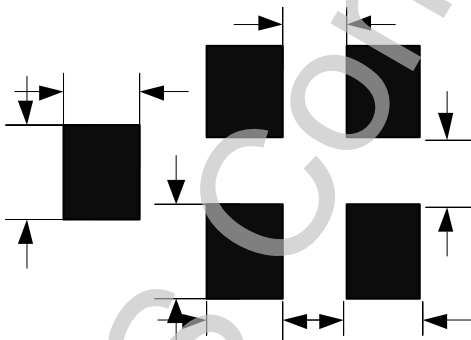
Package Outline Drawing



Test Circuit

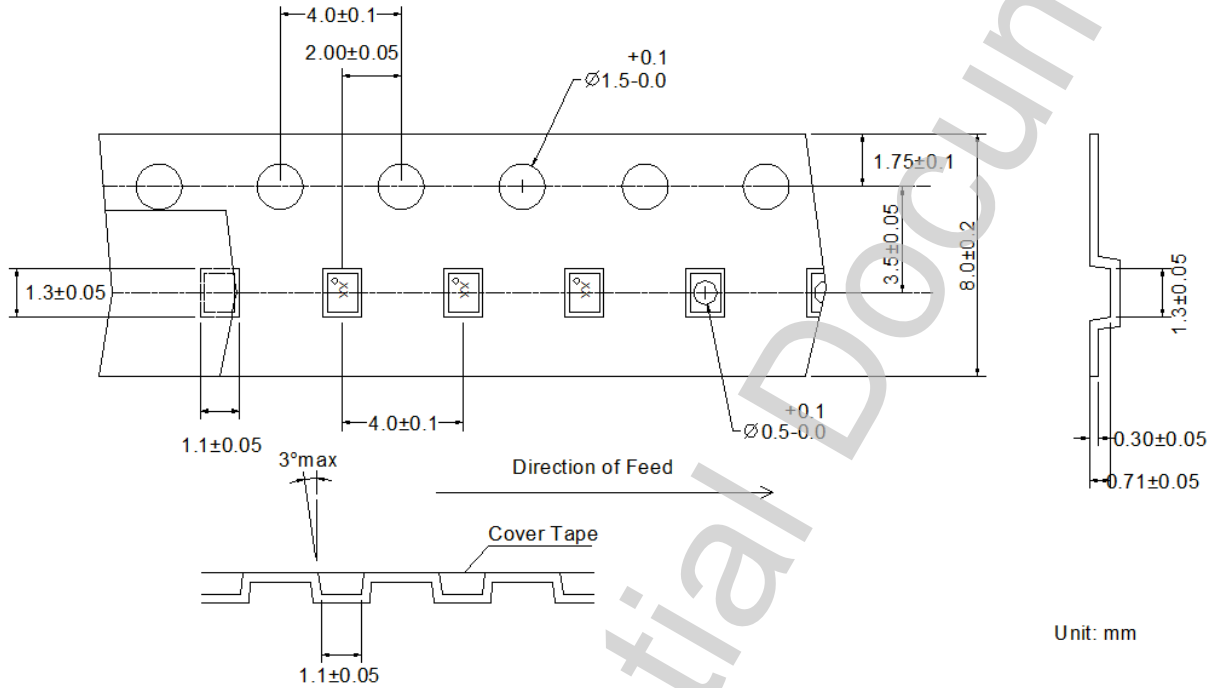


PCB Footprint

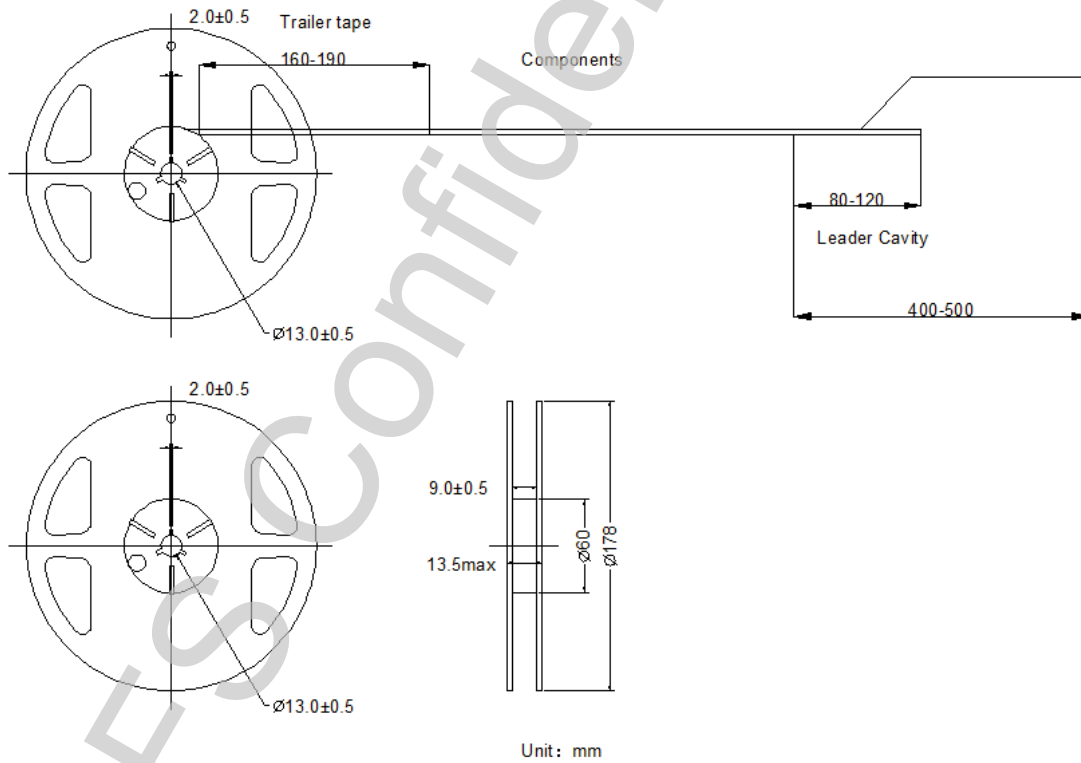


Packing

1. Tape Dimension



2. Reel Dimension



2---M, □

